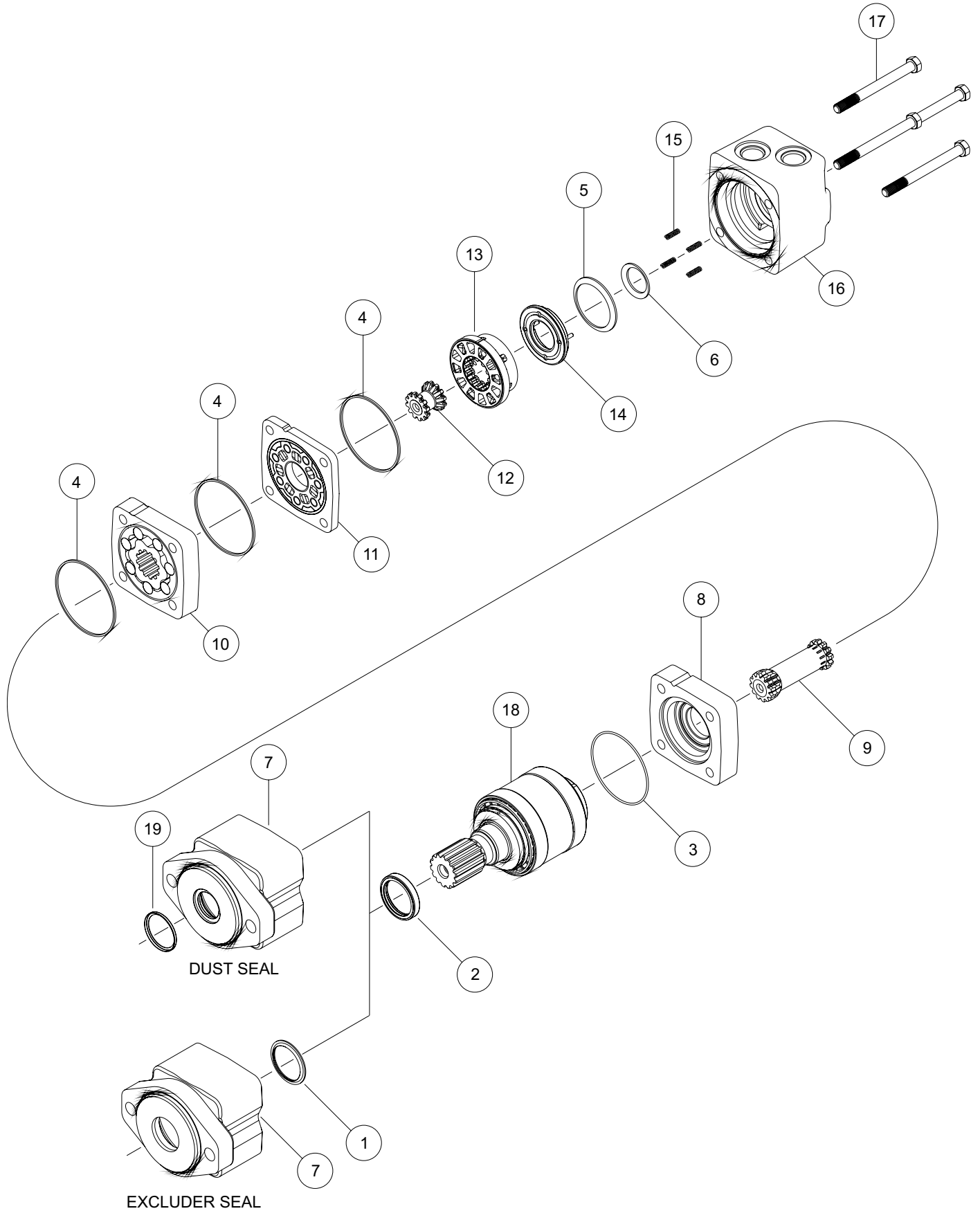


# WS (350) Series



# WS (350) SERIES MOTOR COMPONENTS

## SEAL KIT 355355001

DESCRIPTION	EXP. VIEW ITEM #	KIT
EXCLUDER SEAL	1	ITEMS # 1-6 INCLUDED IN SEAL KIT 355355001
BUNA SHAFT SEAL	2	
HOUSING SEAL	3	
BODY SEALS (3)	4	
LARGE PISTON SEAL	5	
SMALL PISTON SEAL	6	
DUST SEAL	19	

## MISCELLANEOUS KITS

DESCRIPTION	EXP. VIEW ITEM #	KIT
WEAR PLATE	8	355012005
MANIFOLD	11	350015100
DRIVER	12	350014100
COMMUTATOR	13	350012107
ENDCOVER PISTON	14	355018036
PISTON SPRINGS	15	355018032
1000 PSI RELIEF VALVE	NOT SHOWN	500018228
2000 PSI RELIEF VALVE	NOT SHOWN	500018231
3000 PSI RELIEF VALVE	NOT SHOWN	500018221
M24 X 1.5 SLOTTED HEX NUT	NOT SHOWN	500449306
1.125-18 UNEF SLOTTED HEX NUT	NOT SHOWN	700018038
1.125-18 UNEF SOLID HEX NUT	NOT SHOWN	700018054
1.00-20 UNEF SOLID NUT	NOT SHOWN	500449303
1.00-20 UNEF LOCK NUT	NOT SHOWN	300339303P
1.00-20 UNEF SLOTTED NUT	NOT SHOWN	500449304

## ROTORS, DRIVE LINKS AND BOLTS

WHEN CHANGING MOTOR DISPLACEMENTS, A MATCHING ROTOR AND BOLT SET KIT MUST BE ORDERED. A NEW DRIVE LINK KIT MAY BE NECESSARY.

EXPLODED VIEW ITEM #	10	9	17
DISPLACEMENT	STANDARD ROTOR KIT	DRIVE LINK KIT	BOLT SET KIT
080	350057004	350014103	300335018
100	350067004	355014103	300335018
110	350077004	355014104	300334024
130	350087004	355014105	300334018L
160	350107004	355014106	300335114
200	350127004	355014107	300335024
230	350147004	355014108	300334024L
250	350157004	355014112	300335024
320	350207004	355014109	355335024
400	350247004	355014113	355335024
500	350317004	355014110	350335500

## HOUSING KITS

(EXPLODED VIEW ITEM #7)

DESCRIPTION	HOUSING KIT
A0 & A7 2-HOLE SAE A MOUNT	350013111
A2 & A8 4-HOLE MAGNETO MOUNT	350013114
AG & AH 4-HOLE SQUARE SAE A MOUNT	350013118
B0 & B7 2-HOLE SAE B MOUNT	350013115
Y2 & Y8 4-HOLE WHEEL MOUNT (4.25" PILOT)	350013117

## SHAFT / BEARING KITS

SHAFT / BEARING KITS COME WITH ALL RELATED SHAFT COMPONENTS (ie. KEYS, NUTS, BOLTS, WASHERS, ETC.) TO ORDER INDIVIDUAL SHAFT COMPONENTS (i.e. keys, nuts) USE THE KIT NUMBER FOR EACH INDIVIDUAL PART

EXPLODED VIEW ITEM #	18	NOT SHOWN	NOT SHOWN
DESCRIPTION	SHAFT KIT	KEY KIT	NUT KIT
#02 6B SPLINE	35011002	---	---
#10 1" STRAIGHT	35011010	200229100	
#12 25MM STRAIGHT	35011012	355018046	
#20 1-1/4" STRAIGHT	35011020	355018038	SEE MISC.
#21 32MM STRAIGHT	35011021	355018047	KITS LIST
#22 1-1/4" TAPERED	35011022	355018039	ABOVE
#23 14 TOOTH SPLINE	35011023	---	
#28 35MM TAPERED	35011028	355018048	
#31 1-1/2" TAPERED	35011031	500449105	

## ENDCOVER KITS

(EXPLODED VIEW ITEM #16)

ENDCOVER KITS COME ASSEMBLED WITH EXPLODED VIEW ITEMS # 5, 6, 14, & 15.

TO ORDER A RELIEF VALVE FOR THE VALVE CAVITY ENDCOVERS, SEE THE MISCELLANEOUS KITS LISTING ABOVE FOR RELIEF VALVE KIT #S.

DESCRIPTION	STANDARD	VALVE CAVITY
	ENDCOVER KIT	ENDCOVER KIT
#1 7/8" O-RING (SIDE PORTS)	350160100	350160100R
#1 7/8" O-RING (END PORTS)	350160103	---
#2 1/2" BSP.F (SIDE PORTS)	350160118	350160118R
#2 1/2" BSP.F (END PORTS)	350160122	---
#6 1-1/16" O-RING 180° (SIDE PORTS)	350160106	---
#B OFFSET MANIFOLD (SIDE PORTS)	350160146	---