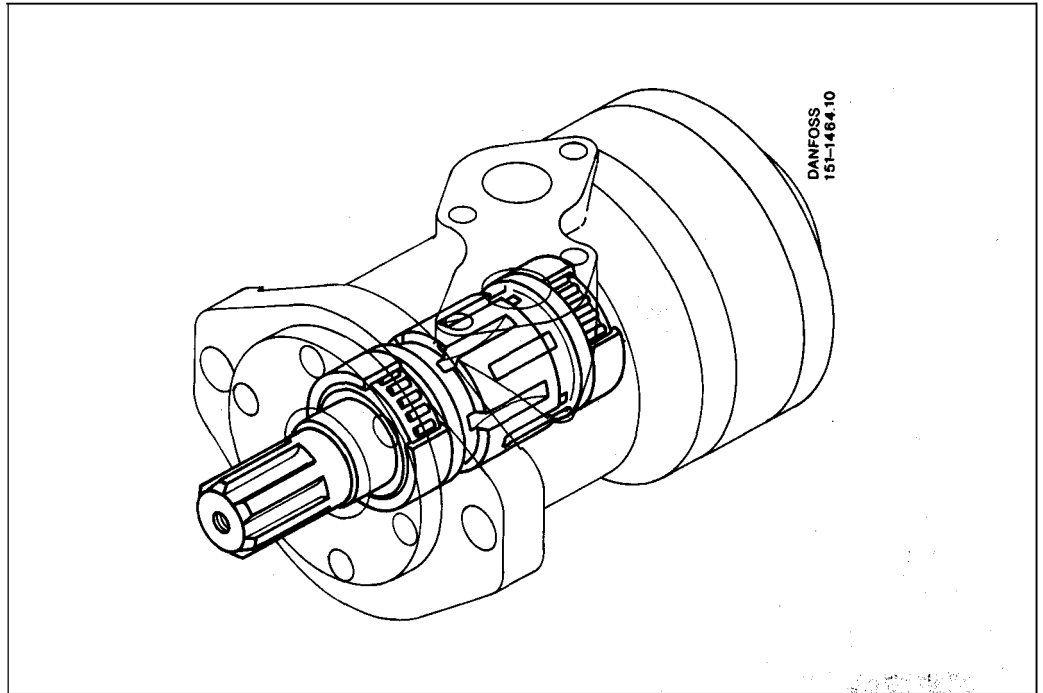


OMRA hydraulic motor with needle bearings Type OMRA N

HN.12.HA.02 is new

Introduction



We can now supply OMRA motors where the output shaft runs in needle bearings. The type designation for the new motor is OMRA N. As well as the well known features of our OMRA motors, the needle bearings mean that OMRA N has advantages in many applications such as:

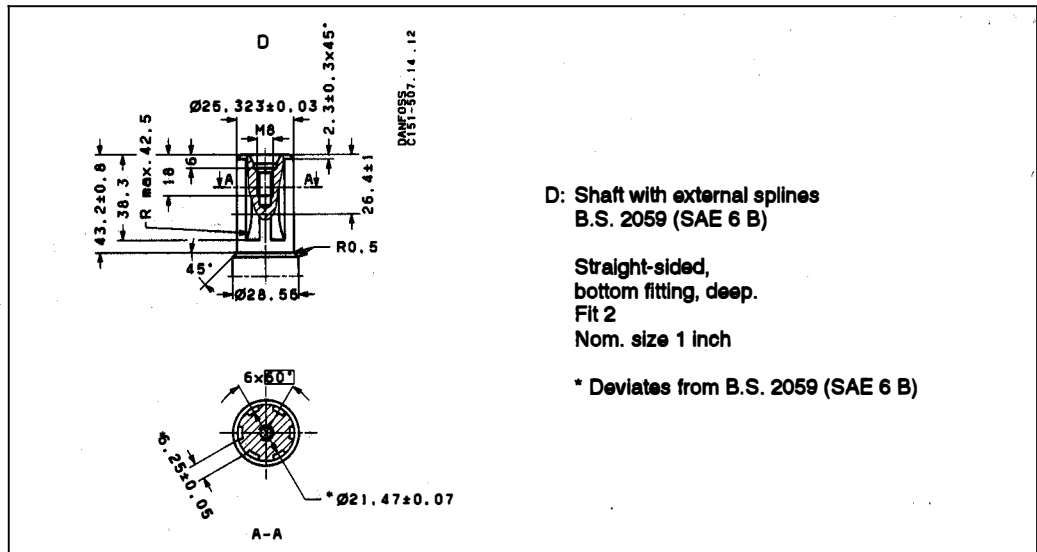
- Applications with demanding operating conditions:
 - Large static radial load
 - Frequent starts and stops
 - Vibrations on the output shaft
- Applications with special requirements for motor function
 - Low static leakage
 - Low starting pressure - even with high radially loaded shaft

Code numbers

Motor type	OMRA 80 N	OMRA 125 N	OMRA 160 N	OMRA 200 N
Splined shaft	151-6371	151-6373	151-6374	151-6375

The above mentioned motors are those currently available. For information about other displacements or shaft versions, please apply to the sales organisation for Hydraulics

Shaft version



D: Shaft with external splines
B.S. 2059 (SAE 6 B)

Straight-sided,
bottom fitting, deep.
Fit 2
Nom. size 1 inch

* Deviates from B.S. 2059 (SAE 6 B)

Conversion factors

The technical data in this Tech Note is stated in standard ISO units only. These units are converted into British Standard units by using the following conversion factors:

1 daNm	=	88.5 lbf in
1 kW	=	1.34 hp
1 bar	=	14.5 lbf/in ²
1 daN	=	2.248 lbf
1 cm ³	=	0.061 in ³
1 liter	=	0.22 gallon UK