

**Installation Guide**  
**Mini Steering Unit Type OSPM Steering**  
**Column**



# Contents

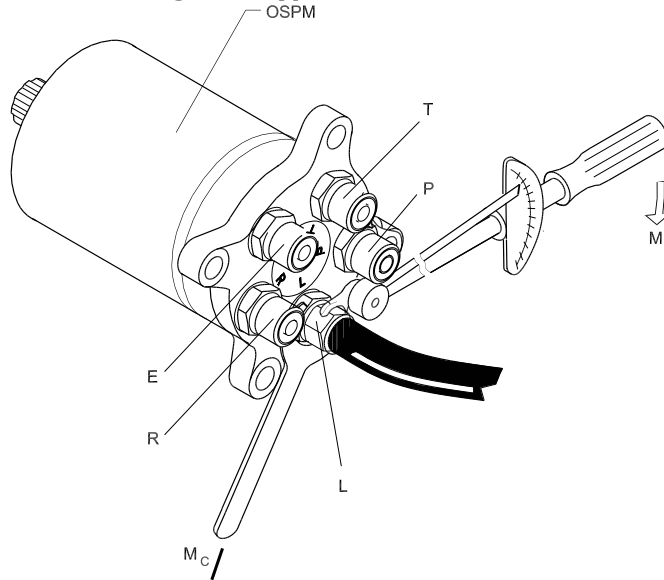
<b>Chapter 1: Mini Steering Unit Type OSPM.....</b>	<b>5</b>
<b>Chapter 2: Steering Column.....</b>	<b>7</b>



# Chapter 1

## Mini Steering Unit Type OSPM

Mini Steering Unit Type OSPM

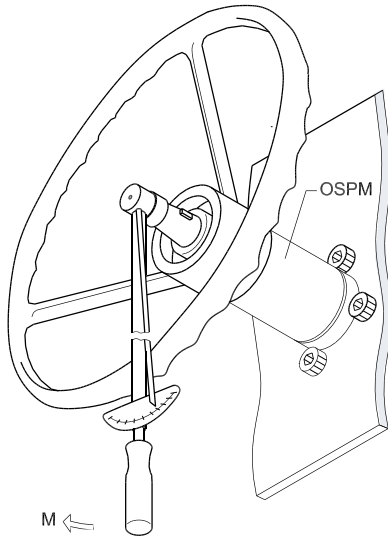


150-623.10

M: Max. tightening torque for hose connections

Connection: O-ring face seal (ORFS)	P, T, E		L, R
	9/16 - 18 UNF	11/16 - 16 UN	9/16 - 18 UNF
	25 N•m [221 lbf•in]	27 N•m [239 lbf•in]	25 N•m [221 lbf•in]

Mc: Fitting bolts must not be turned during assembly of hose



150-621.10

**M: Max. tightening torque for steering wheel bolt**

	N•m	lbf•in
OSPM type A shaft (M8 × 1.25)	20	177
OSPM type B shaft (5/8 - 18 UNF)	40	354

---

# Chapter 2

---

## Steering Column

---

