

Repair Instructions

RE 530/531 Series

Contents

Chapter 1: RE 530/531 Series Diagram.....	5
Exploded View.....	6
Chapter 2: RE 530/531 Series Service Instructions.....	13
Seal Kit Installation.....	14
Chapter 3: RE 530/531 Series Parts Listing.....	21
Replacement Kits.....	22

Chapter

1

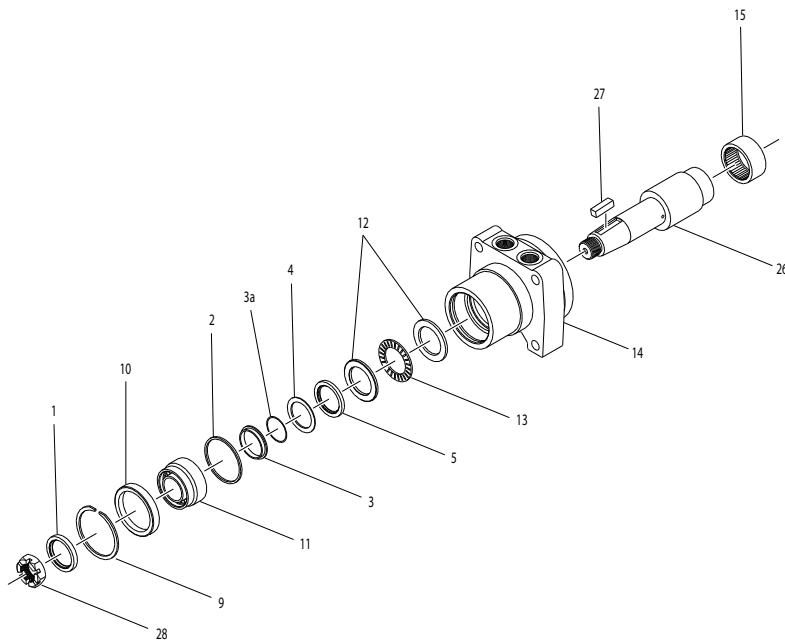
RE 530/531 Series Diagram

Topics:

- [RE 530/531 Exploded Views](#)

RE 530/531 Exploded Views

R Mount Housing Front End Exploded View



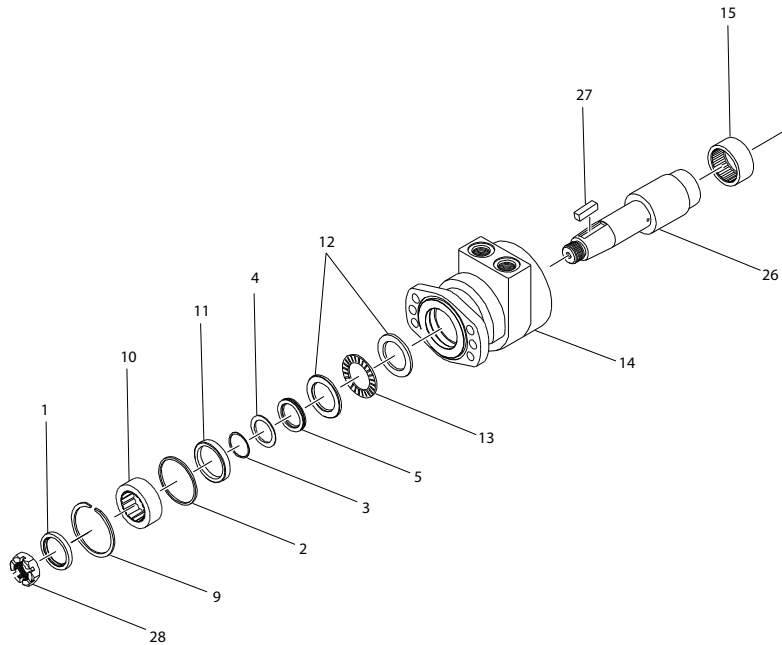
R Mount Front End Component List

Example model code: 530300R3131AAAAA

Description	Item Number
Dust seal	1
High pressure seal	2
Metal back-up ring	3
Metal back-up shim	3a
Back-up seal	4
Shaft seal	5
Retaining snap ring	9
Bearing spacer	10
Bearing	11
Thrust washer	12
Thrust bearing	13
Housing	14
Rear housing bearing	15
Shaft	26
Shaft key	27

Description	Item Number
Shaft nut	28

A Mount Housing Front End Exploded View



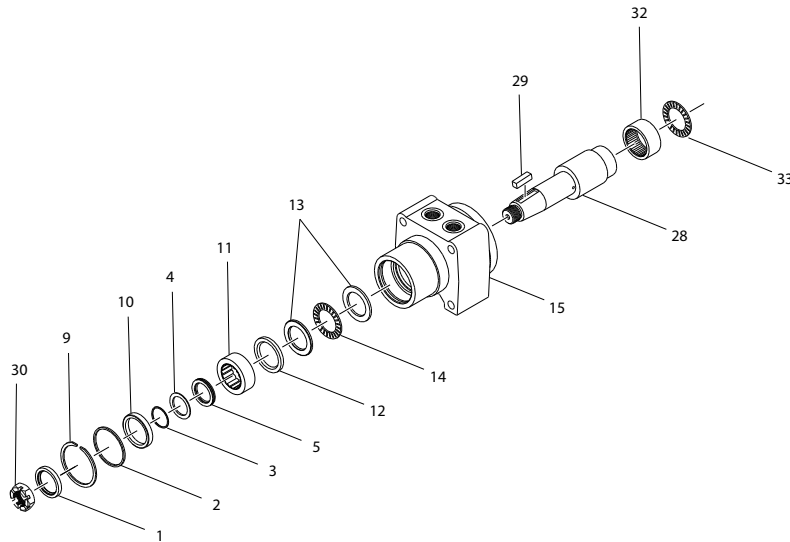
A Mount Front End Component List

Example model code: 530300A5130AAAAA

Description	Item Number
Dust seal	1
High pressure seal	2
Metal back-up ring	3
Back-up seal	4
Shaft seal	5
Retaining snap ring	9
Bearing	10
Seal carrier	11
Thrust washer	12
Thrust bearing	13
Housing	14
Rear housing bearing	15
Shaft	26
Shaft key	27

Description	Item Number
Shaft nut	28

W Mount Housing Front End Exploded View



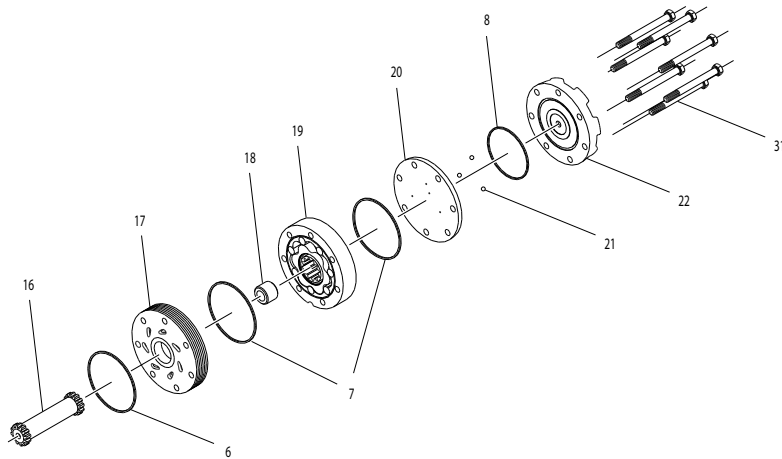
W Mount Front End Component List

Example model code: 530750W3131AAAAA

Description	Item Number
Dust seal	1
High pressure seal	2
Metal back-up ring	3
Back-up seal	4
Shaft seal	5
Retaining snap ring	9
Seal carrier	10
Bearing	11
Bearing spacer	12
Thrust washer	13
Thrust bearing	14
Housing	15
Rear housing bearing	32
Thrust bearing	33
Shaft	28
Shaft key	29

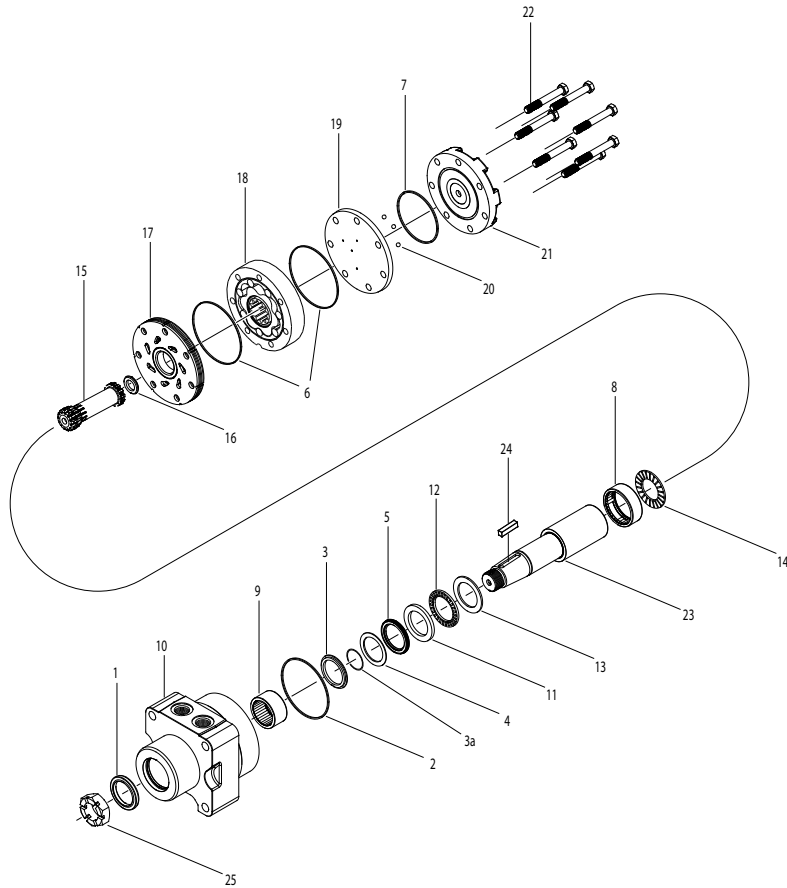
Description	Item Number
Shaft nut	30

A, R and W Motor Section Exploded View



A, R and W Motor Section Component List

Description	Item Number
Rear housing seal	6
Body seal	7
Endcover seal	8
Drive link	16
Manifold	17
Drive link spacer	18
Rotor assembly	19
Balance plate	20
Steel ball	21
Endcover	22
Endcover bolt	31

RE 530 With T Mount Exploded View**RE 530 With T Mount Exploded View**

Description	Item Number
Dust seal	1
Housing seal	2
Back-up ring	3
Back-up shim	3a
Back-up seal	4
Shaft seal	5
Body seal	6
Endcover seal	7
Rear housing bearing	8
Front housing bearing	9
Housing	10
Front thrust washer	11
Front thrust bearing	12
Thrust washer	13

Description	Item Number
Rear thrust bearing	14
Drive link	15
Drive link spacer	16
Manifold	17
Rotor assembly	18
Balance plate	19
Steel ball	20
Endcover	21
Assembly bolt	22
Shaft	23
Shaft key	24
Shaft nut	25

Chapter

2

RE 530/531 Series Service Instructions

Topics:

- [*RE 530/531 Seal Kit Installation*](#)

RE 530/531 Seal Kit Installation

dimensions: mm [in]



Attention: These instructions are intended to service all RE 530/531 series motors. However, there are slight differences in the bearing/seal assemblies of these motors. It is important that you determine which motor type you have before servicing so that you can turn to the appropriate section. The section headings list each housing flange type. The housing number is the 7th - 9th alpha-numeric digit in the model code, which is located on the tag on the rear of the motor. If the tag is missing, the exploded views may be used to determine which housing type you have.

Note: All internal seals on products manufactured after July 1, 2016 are o-ring seals. Prior to this date the internal seals were square cut seals. It is recommended that if the product being serviced has square seals to replace with the square seals in this kit, likewise if the product has o-ring seals, replace with the o-ring seals in this kit.

RE 530/531 R Mount Housing Disassembly/Assembly

1. Remove all shaft related components from shaft (26) (i.e. Keys, wire rings, nuts, etc.). Secure motor in vise by clamping onto housing. Remove retaining snap ring (9) from groove in pilot of housing (14). Lift shaft/bearing assembly from housing (14) then remove bearing spacer (10), bearing (11), thrust bearing (13) and two thrust washers (12) from shaft (26).
2. Being careful not to drop any rolls from bearing (11), pry out shaft seal (5), backup seal (4), metal backup shim (3a), metal backup ring (3) and dust seal (1) from bearing assembly (11). (Note: metal backup ring (3) may or may not come out of bearing (11). It is not necessary to remove the metal backup ring (3) from the bearing (11) to service the motor.) Remove high pressure seal (2) from groove in pilot of housing (14) discard shaft seal (5), backup seal (4) dust seal (1) and high pressure seal (2).

Note: At this point, all parts should be cleaned in a oil-based solvent and dried using compressed air (for safety, observe all Osha Safety Guidelines). All new seals should be lightly coated with clean oil prior to installation.

3. Install high pressure seal (2) into groove in pilot of housing (14). Place shaft (26) on a clean, flat surface with output end facing up. Place thrust washer (12), thrust bearing (13) and second thrust washer (12) over shaft (26). Being careful not to cut seal on keyway, place shaft seal (5) over shaft (26) making sure that lip on seal faces down (see figure 1). Repeat process for backup seal (4) making sure that lip faces down. Place metal backup shim (3a) over shaft. If metal backup ring (3) came out of bearing (11), place over shaft (26) making sure that large O.D. side faces down. Lightly grease bearing (11) if needed. Place bearing (11) over shaft making sure that the large O.D. side faces down. Using an arbor press, carefully press bearing (11) down to press seal assembly (3-5) into bearing (11).
4. Place shaft (26) assembly into housing (14). Install dust seal (1) over shaft (26) with lip facing up (see [RE 530 R Mount Shaft Stack-up](#)) and carefully press the seal down to seat it in the bearing (11). Place bearing spacer (10) over shaft (26) and push down until snap ring groove is visible. Install retaining snap ring (9) into groove in housing pilot (14). (Note: it may be necessary to lightly tap the retaining snap ring (9) and bearing spacer (10) to allow the retaining snap ring (9) to seat properly.) Replace all shaft related components (i.e. keys, wire rings, nuts).

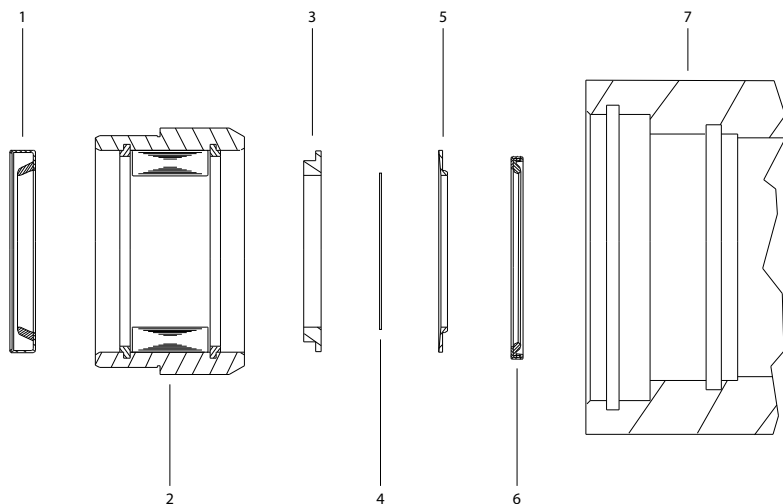


Figure 1: RE 530 R Mount Shaft Stack-up

- a. Dust seal
- b. Bearing
- c. Back-up ring
- d. Back-up shim
- e. Back-up seal
- f. Shaft seal
- g. Housing

5. See [RE 530/531 Series Motor Section](#) to complete the service process

RE 530/531 A Mount Housing Disassembly/Assembly

6. Remove all shaft related components from shaft (26) (i.e. keys, wire rings, nuts, etc.). Secure motor in vise by clamping onto housing. Remove retaining snap ring (9) from groove in pilot of housing (14). Lift shaft/bearing assembly from housing (14) then remove bearing (10), seal carrier (11), thrust bearing (13) and two thrust washers (12) from shaft (26).
7. Using a small thin bladed screwdriver, pry out shaft seal (5), backup seal (4) and metal backup shim (3) from seal carrier (11). Also pry dust seal (1) from bearing (10). Remove high pressure seal (2) from groove in pilot of housing (14) discard shaft seal (5), backup seal (4), metal backup shim (3), dust seal (1) and high pressure seal (2).

Note: At this point, all parts should be cleaned in a oil-based solvent and dried using compressed air (for safety, observe all Osha Safety Guidelines). All new seal should be lightly coated with clean oil prior to installation.

8. Install high pressure seal (2) into groove in pilot of housing (14). Place shaft on a clean, flat surface with output end facing up. Place thrust washer (12), thrust bearing (13) and second thrust washer (12) over shaft (26). Being careful not to cut seal on keyway, place shaft seal (5) over shaft (26) making sure that lip on seal faces down (see figure 2). Repeat process for backup seal (4) making sure that lip faces down. Place metal backup shim (3) over shaft (26). With flat side facing up, place seal carrier (11) down over shaft. Using an arbor press, carefully press down on seal carrier (11) to press seal assembly (3-5) into seal carrier (11). Lightly grease bearing (10) if needed. Place bearing (10) over shaft making sure that side of bearing with snap ring against bearing rolls faces down.
9. Place shaft (26) assembly into housing (14). Install dust seal (1) over shaft (26) with lip facing up (see [RE 530 A Mount Shaft Stack-Up](#)) and carefully press the seal down to seat it in the bearing (10). Install retaining snap ring (9) into groove in housing pilot (14). (Note: It may be necessary to lightly tap the retaining snap ring (9) to allow it to seat properly.) Replace all shaft related components (i.e. keys, wire rings, nuts).

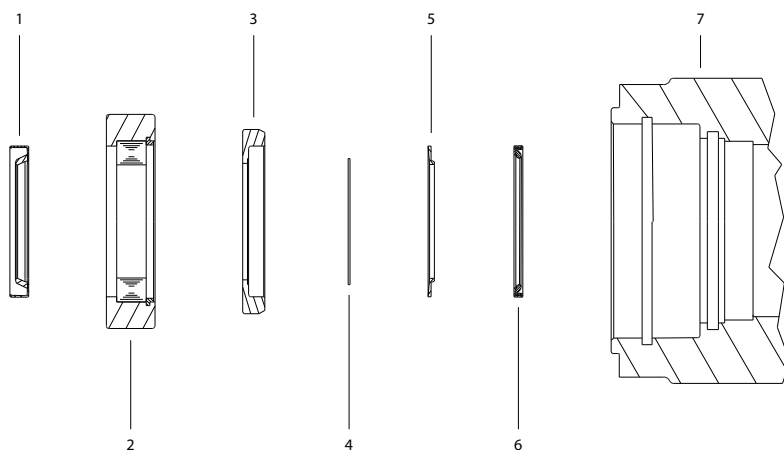


Figure 2: RE 530 A Mount Shaft Stack-up

- a. Dust seal
- b. Bearing
- c. Seal carrier
- d. Back-up shim
- e. Back-up seal
- f. Shaft seal
- g. Housing

10. See [RE 530/531 Series Motor Section](#) to complete the service process

RE 530/531 W Mount Housing Disassembly/Assembly

11. Remove all shaft related components from shaft (28) (i.e. keys, wire rings, nuts, etc.). Secure motor in vise by clamping onto housing. Using a small thin blade screwdriver, pry dust seal (1) from housing (15) and discard. Remove retaining ring (9) from groove in pilot of housing (15). Lift shaft/bearing assembly from housing (15) then remove seal carrier assembly (10), bearing (11), bearing spacer (12), thrust bearing (14) and two thrust washers (13) from shaft (28).
12. Using a small thin bladed screwdriver, pry out shaft seal (5), backup seal (4) and metal backup shim (3) from seal carrier (10). Remove high pressure seal (2) from groove in pilot of housing (15) discard shaft seal (5), backup seal (4), metal backup shim (3) and high pressure seal (2).

Note: At this point, all parts should be cleaned in a oil-based solvent and dried using compressed air (for safety, observe all Osha Safety Guidelines). All new seal should be lightly coated with clean oil prior to installation.

13. Install high pressure seal (2) into groove in pilot of housing (15). Place shaft on a clean, flat surface with output end facing up. Place thrust washer (13), thrust bearing (14) and second thrust washer (13) over shaft (28). Place bearing spacer (12) over shaft (26). Place seal carrier (10) on a clean flat surface with the flat side facing down. Install metal backup shim (3) into seal carrier (10). Making sure that lips on both seals face up (see figure 3), install backup seal (4) into seal carrier (10) followed by shaft seal (5). Using an arbor press, carefully press down on shaft seal (5) to press seal assembly (3-5) into seal carrier (10). With shaft seal (5) facing down, carefully lower seal carrier assembly down onto shaft making sure to not cut seal lip on keyway.
14. Place shaft (28) assembly into housing (15). Install retaining snap ring (9) into groove in housing pilot (15). (Note: it may be necessary to lightly tap the retaining snap ring (9) to allow it to seat properly.) Replace all shaft related components (i.e. keys, wire rings, nuts). Install dust seal (1) over shaft (25) with lip facing up (see [RE 530 W Mount Shaft Stack-Up](#)) and carefully press the seal down to seat it in the housing (15).

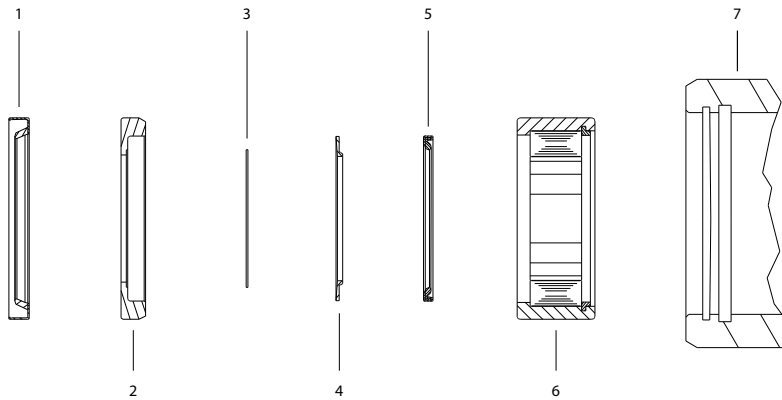


Figure 3: RE 530 W Mount Shaft Stack-up

- a. Dust seal
- b. Seal carrier
- c. Back-up shim
- d. Back-up seal
- e. Shaft
- f. Bearing
- g. Housing

15. See [RE 530/531 Series Motor Section](#) to complete the service process

RE 530/531 Series Motor Section (A, R & W Mounts)

16. Loosen and remove seven bolts (31) holding motor assembly together. Remove end cover (22) and body seal (8). Discard seal. Remove balance plate (20) taking care not to drop the three steel balls (21) located in the three holes in the balance plate (20). Remove rotor assembly (19), manifold (17), drive link spacer (18) (note: some motors do not use spacer), and drive link (16). Remove body seals (7) from rotor assembly (19) and housing seal (6) from housing and discard seals.

Note: At this point, all parts should be cleaned in a oil-based solvent and dried using compressed air (for safety, observe all osha safety guidelines). All new seal should be lightly coated with clean oil prior to installation.

17. If applicable, install thrust washer (17) onto end of shaft (Not shown in this Section. See the exploded view drawing in Section 3. Not all 530 Series motors use this thrust washer). Place drive link (16) into shaft making sure that end of drive link with crowned splines goes into shaft. Place manifold (17) onto housing aligning bolt holes.

Note: Manifold side with only seven valving holes goes toward housing.

18. Install a body seal (7) into the seal groove in both sides of rotor assembly (19). Making sure that side of rotor (19) with chamfer in splines faces down, place rotor assembly (19) on manifold (17) engaging drive link splines. Turn rotor assembly (19) to align bolt holes.

19. If motor came with spacer (18), place spacer on end of drive link (16). Place balance plate (20) onto the rotor assembly (19) with three holes for steel balls (21) facing up. Install three steel balls (21) into the holes in the balance plate (20).

20. Install endcover seal (8) into endcover (22). Place endcover (22) onto the balance plate (20) and align bolt holes. Insert seven bolts (31) into motor assembly. Pre-torque bolts to 13,6 Nm [10 ft. lb.]. Using a criss cross pattern, final torque the bolts to 69.8 ± 7.5 Nm [51.5 ± 5.5 ft. lb.].

RE 530/531 T Mount Complete Motor Disassembly/Assembly

21. Remove all shaft related components from shaft (23) (i.e. keys, nuts). To aid in reassembly of the motor, make a "V" shaped set of lines from the endcover (21) to the housing using either paint or a marker. With shaft facing down, secure motor in vise by clamping on to housing (10).

22. Loosen and remove seven bolts (22) holding motor assembly together. Remove endcover (21) and endcover seal (7). Discard seal. Remove balance plate (19) taking care not to drop the three steel balls (20) located in the three

holes in the balance plate (19). Remove rotor assembly (18), manifold (17), drive link spacer (16), drive link (15) and thrust bearing (14). Remove body seals (6) from rotor assembly (18) and housing seal (2) from housing (10) and discard seals.

Note: Some motors may not use a drive link spacer.

23. Gently tap shaft (23) upward from housing (10) and remove through rear of housing and lay aside. Remove housing (10) from vise and turn over. Pry dust seal (1) from housing and discard.
24. Using a slide and hammer bearing puller remove rear housing bearing (8) through rear of housing.
25. Remove the thrust washer (13), front thrust bearing (12), front thrust washer (11), shaft seal (5), back-up seal (4), back-up shim (3a), and back-up ring (3) from housing. Discard items (3, 3a, 4, & 5).

Note: At this point, all parts should be cleaned in an oil-base solvent and dried using compressed air (For safety, observe all OSHA safety guidelines). All new seals should be lightly coated in clean oil prior to installation.

26. Place shaft (23) on a clean flat surface with output end facing up. Place on shaft, thrust washer (13), then thrust bearing (12), then front thrust washer (11). Lightly coat seal area of shaft with clean oil and place shaft seal (5) down onto shaft (23) making sure that lip on seal faces down (see [RE 530 T Mount Shaft Stack-Up](#)) until it contacts thrust washer (11). Carefully install the back-up seal (4) onto the shaft (23) with the flat side up and the seal lip facing the shaft seal (5). Place the metal back-up shim (3a) onto the shaft, then place the back-up ring onto the shaft with the flat side against the backup shim (3a).

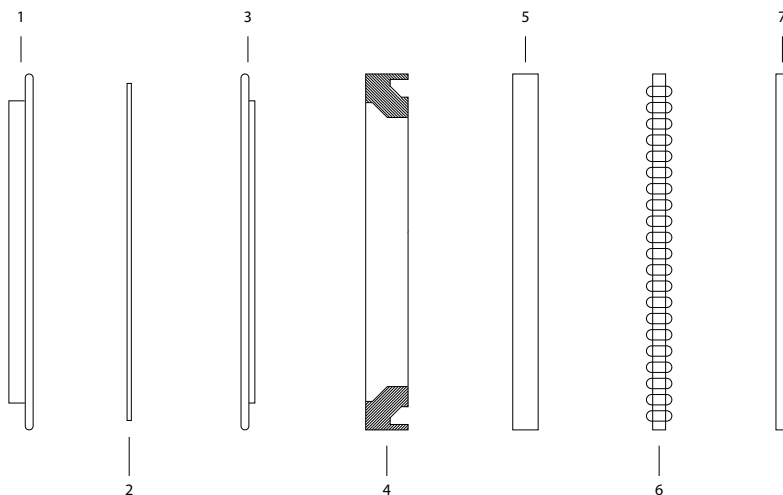


Figure 4: RE 530 T Mount Shaft Stack-up

- a. Back-up ring
 - b. Back-up shim
 - c. Back-up seal
 - d. Shaft seal
 - e. Thrust washer
 - f. Thrust bearing
 - g. Thrust washer
27. Place housing (10) onto shaft assembly. Place housing shaft assembly back in vise with output shaft facing down. Install rear housing bearing (8) into rear of housing until bearing (8) contacts the stop in the housing (flat side of bearing (8) should face upward away from housing).
 28. Install drive link (15) in shaft end (crowned splines goes into shaft end). Place thrust bearing (14) over drive link (15). If shaft assembly is properly seated in housing (10), thrust bearing (14) will be flush or countersunk with rear surface of housing (10).
 29. Install housing seal (2) into groove in housing (10). Place manifold (17) onto housing, (10) side with only seven holes facing housing (10). Place body seals (6) in grooves in both sides of rotor (18). Place rotor (18) onto

manifold (17) with side of rotor with chamfer in splines facing manifold (17). If motor used a drive link spacer (16), place spacer (16) on top of drive link (15).

- 30.** Install balance plate (19) onto rotor (18) making sure holes for steel balls (20) faces up. Install three steel balls (20) in holes in balance plate (19). Install endcover seal (7) into groove in endcover (21) and place endcover onto balance plate (19). Install seven assembly bolts (22) and pre-torque to 10 ft. lbs. Using a criss cross pattern, final torque all bolts to 50 ft. lbs.
- 31.** Remove motor from vise and place on work surface with shaft (23) facing up. Making sure that lip on seal (1) faces up, place dust seal (1) over shaft (23). Using a sleeve and a hammer, carefully drive dust seal (1) into place.

Chapter

3

RE 530/531 Series Parts Listing

Topics:

- [RE 530/531 Replacement Kits](#)

RE 530/531 Replacement Kits

Available parts kits

Note: Refer to *R Mount Housing Front End Exploded View* and *A, R and W Motor Section Exploded View* for item numbers

Table 1: RE 530 Series R Mount Seal kit

Description	Exploded View Item Number	Qty. In Kit	Order Number
Dust seal	1	1	700666000
High pressure seal	2	1	
Metal back-up shim	3	1	
Back-up seal	4	1	
Shaft seal	5	1	
Rear housing seal	6	1	
Body seal	7	2	
Endcover seal	8	1	

Note: Refer to *R Mount Housing Front End Exploded View* and *A, R and W Motor Section Exploded View* for item numbers

Table 2: RE 530 Series R Mount Miscellaneous Kits

Description	Exploded View Item Number	Order Number
Retaining snap ring	9	700018013
Bearing spacer	10	700018085
Bearing	11	300018021
Thrust washer	12	700018041
Thrust bearing	13	700018033
Rear housing bearing	15	700018012
Forward manifold	17	500015006
Reverse manifold	17	500015007
Balance plate	20	500012001
Steel ball	21	500018048
Endcover	22	500016001
1000 PSI relief valve	Not shown	500018228
2000 PSI relief valve	Not shown	500018231
3000 PSI relief valve	Not shown	500018221
1.125-18 UNEF slotted hex nut	28	700018038

Description	Exploded View Item Number	Order Number
1.125-18 UNEF solid hex nut	28	700018054
Dust seal	1	300018006

Rotors, drive links and spacers, and bolts

Note: The below chart covers the R, A and W mount RE 530 series motors. Refer to [A, R and W Motor Section Exploded View](#) for item numbers.

When changing motor displacements, a matching rotor and bolt set kit must be ordered. A new drive link kit may be necessary. Drive link spacers are included in drive link kits, but may also be ordered separately by using the drive link spacer kit number.

Exploded View Item Number	19	19	16	18	31
Displacement	Standard Rotor Kit	Freeturn Rotor Kit	Drive Link Kit	Drive Link Spacer Kit	Bolt Set Kit
120	500087005	500087008	500014009	N/A	500445006
160	500137005	500137011	500014009	N/A	500445006
200	500167004	500167011	500014009	500018075	500445012
230	500147002	500147004	500014009	500018185	500445014
260	500227000	500227004	500014039	N/A	500445014
300	500247005	500247011	500014007	N/A	500445018
350	500207000	500207004	500014042	N/A	500445026
375	500307005	500307011	500014008	N/A	500445024
470	500357003	500357005	500014042	N/A	500445026
540	500407005	500407011	500014044	N/A	500445032
750	500607005	500607011	500014047	N/A	500445045

RE 530 R Mount Housing Kits

Note: Refer to [R Mount Housing Front End Exploded View](#)

Housing kits include front housing bearing (#15) installed in the housing.

Exploded View Item Number	Description	Housing Kit
14	#R31- Wheel motor with 7/8" O-ring	500132028
14	#R31- Wheel motor with 7/8" O-ring with valve cavity	500135028

RE 530 R Mount Shaft Kits

Note: Refer to [R Mount Housing Front End Exploded View](#)

Shaft kits come with related shaft components (i.e. keys, nuts, etc.).

Exploded View Item Number	26	27	28	Not Shown
Description	Shaft Kit	Key Kit	Nut Kit	Wire Ring Kit
#30 1-1/2" Straight	500011213	300339105	N/A	700449200
#31 1-1/2" Tapered	500011305	500449105	See RE 530 Series R Mount Miscellaneous Kits	N/A

RE 530 Series A Mount Seal kit

Note: Refer to [A Mount Housing Front End Exploded View](#) and [A, R and W Motor Section Exploded View](#) for item numbers

Description	Exploded View Item Number	Qty. In Kit	Order Number
Dust seal	1	1	700666000
High pressure seal	2	1	
Metal back-up ring	3	1	
Back-up seal	4	1	
Shaft seal	5	1	
Rear housing seal	6	1	
Body seal	7	2	
Endcover seal	8	1	

Note: Refer to [A Mount Housing Front End Exploded View](#) and [A, R and W Motor Section Exploded View](#) for item numbers

Table 3: RE 530 Series A Mount Miscellaneous Kits

Description	Exploded View Item Number	Order Number
Retaining snap ring	9	500018141
Bearing	10	500018241
Seal carrier	11	500018238
Thrust washer	12	700018041
Thrust bearing	13	700018033
Rear housing bearing	15	700018012
Forward manifold	17	500015006
Reverse manifold	17	500015007
Balance plate	20	500012001
Steel ball	21	500018048
Endcover	22	500016001
1000 PSI relief valve	Not shown	500018228

Description	Exploded View Item Number	Order Number
2000 PSI relief valve	Not shown	500018231
3000 PSI relief valve	Not shown	500018221
1.125-18 UNEF slotted hex nut	27	700018038
1.125-18 UNEF solid hex nut	27	700018054

RE 530 A Mount Housing Kits

Note: Refer to [A Mount Housing Front End Exploded View](#)

Housing kits include front housing bearing (#15) installed in the housing.

Exploded View Item Number	Description	Housing Kit
14	#A51- 6-hole SAE A Mount with 7/8" O-ring	500136228
14	#A51- 6-hole SAE A Mount with 7/8" O-ring and valve cavity	500139228
14	#A58- 6-hole SAE A Mount with G 1/2	500136628
14	#A58- 6-hole SAE A Mount with G 1/2 and valve cavity	500139628

RE 530 A Mount Shaft Kits

Note: Refer to [A Mount Housing Front End Exploded View](#)

Shaft kits come with related shaft components (i.e. keys, nuts, etc.).

Exploded View Item Number	26	27	28	Not Shown
Description	Shaft Kit	Key Kit	Nut Kit	Wire Ring Kit
#30 1-1/2" Straight	500011213	300339105	N/A	700449200
#31 1-1/2" Tapered	500011305	500449105	See RE 530 Series A Mount Miscellaneous Kits	N/A
#27 35mm Straight	500011219	500449103	N/A	N/A

RE 530 Series W Mount Seal kit

Note: Refer to [W Mount Housing Front End Exploded View](#) and [A, R and W Motor Section Exploded View](#) for item numbers

Description	Exploded View Item Number	Qty. In Kit	Order Number
Dust seal	1	1	700666000
High pressure seal	2	1	
Metal back-up ring	3	1	
Back-up seal	4	1	
Shaft seal	5	1	
Rear housing seal	6	1	
Body seal	7	2	
Endcover seal	8	1	

Note: Refer to *W Mount Housing Front End Exploded View* and *A, R and W Motor Section Exploded View* for item numbers

Table 4: RE 530 Series W Mount Miscellaneous Kits

Description	Exploded View Item Number	Order Number
Retaining snap ring	9	500018249
Seal carrier	10	500018238
Bearing	11	500018242
Bearing spacer	12	500018248
Thrust washer	13	700018041
Front thrust bearing	14	700018033
Rear housing bearing	32	700018012
Rear thrust bearing	33	500018059
Forward manifold	17	500015006
Reverse manifold	17	500015007
Balance plate	20	500012001
Steel ball	21	500018048
Endcover	22	500016001
1000 PSI relief valve	Not shown	500018228
2000 PSI relief valve	Not shown	500018231
3000 PSI relief valve	Not shown	500018221
1.125-18 UNEF slotted hex nut	30	700018038
1.125-18 UNEF solid hex nut	30	700018054
M24x1.5 slotted hex nut	30	500449306

RE 530 W Mount Housing Kits

Note: Refer to *W Mount Housing Front End Exploded View* for item numbers

Housing kits include front housing bearing (#32) installed in the housing.

Exploded View Item Number	Description	Housing Kit
15	#W31- 4-hole wheel mount with 7/8" o-ring ports	500136728
15	#W31- 4-hole wheel mount with G ½ ports	500137728

RE 530 W Mount Shaft Kits

Note: Refer to [W Mount Housing Front End Exploded View](#) for item numbers

Shaft kits come with related shaft components (i.e. keys, nuts, etc.).

Exploded View Item Number	28	29	30	Not Shown
Description	Shaft Kit	Key Kit	Nut Kit	Wire Ring Kit
#30 1-1/2" Straight	500011218	300339105	N/A	700449200
#31 1-1/2" Tapered	500011216	500449105	See RE 530 Series W Mount Miscellaneous Kits	N/A
#28 35mm Tapered	500011310	500449104		N/A
#22 1-1/4" Tapered	500011217	500449101		N/A

RE 530 Series T Mount Seal kit

Note: Refer to [RE 530 With T Mount Exploded View](#) for item numbers

Description	Exploded View Item Number	Qty. In Kit	Order Number
Dust seal	1	1	500444004
Housing seal	2	1	
Metal back-up ring	3	1	
Back-up shim	3a	1	
Back-up seal	4	1	
Shaft seal	5	1	
Body seal	6	2	
Endcover seal	7	1	
Rear housing bearing	8	1	

Table 5: RE 530 Series T Mount Miscellaneous Kits

Description	Exploded View Item Number	Order Number
Front housing bearing	9	530018000
Front thrust washer	11	500018238
Front thrust bearing	12	500018282
Thrust washer	13	300018002

Description	Exploded View Item Number	Order Number
Rear thrust bearing	14	500018059
Forward manifold	17	500015006
Reverse manifold	17	500015007
Balance plate	19	500012001
Steel ball	20	500018048
Endcover	21	500016001
1.125-18 UNEF slotted hex nut	25	700018038
1.125-18 UNEF solid hex nut	25	700018054

RE 530 T Mount rotors, drive links, spacers, and bolts

When changing motor displacements, a matching rotor and bolt set kit must be ordered. A new drive link kit may be necessary. Drive link spacers are included in drive link kits, but may also be ordered separately by using the drive link spacer kit number.

Exploded View Item Number	18	18	15	16	22
Displacement	Standard Rotor Kit	Freeturn Rotor Kit	Drive Link Kit	Drive Link Spacer Kit	Bolt Set Kit
120	500087005	500087008	500014009	N/A	500445006
160	500137005	500137011	500014009	N/A	500445006
200	500167004	500167011	500014009	500018075	500445012
230	500147002	500147004	500014009	500018185	500445014
260	500227000	500227004	500014039	N/A	500445014
300	500247005	500247011	500014007	N/A	500445018
350	500207000	500207004	500014042	N/A	500445026
375	500307005	500307011	500014008	N/A	500445024
470	500357003	500357005	500014042	N/A	500445026
540	500407005	500407011	500014044	N/A	500445032
750	500607005	500607011	500014047	N/A	500445045

RE 530 T Mount Housing Kits

Exploded View Item Number	Description	Housing Kit
10	#T31- 4-hole wheel mount with 7/8" o-ring ports	530013002
10	#T35- 4-hole wheel mount with 9/16" o-ring ports	530013000
10	#T38- 4-hole wheel mount with G ½ ports	530013001

RE 530 W Mount Shaft Kits

Shaft kits come with related shaft components (i.e. keys, nuts, etc.).

Exploded View Item Number	28	29	30
Description	Shaft Kit	Key Kit	Nut Kit
#31 1-1/2" Tapered	500011311	500449105	See <i>RE 530 Series T Mount Miscellaneous Kits</i>

