



# STEERING

## Installation Guide

*OSPM Mini Steering Unit*

White is a leading global provider of motor and steering solutions that power the evolution of mobile and industrial applications around the world.



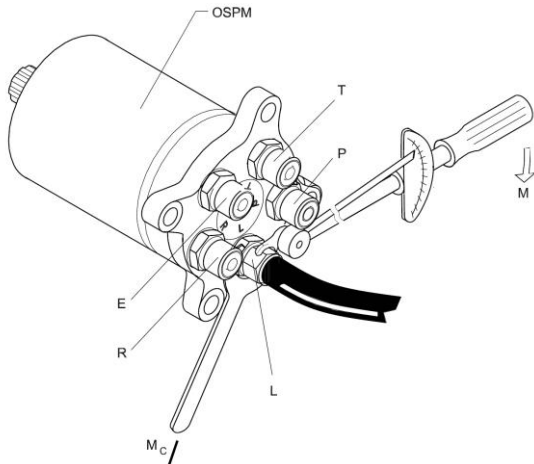
## Contents:

<b>Chapter 1 Mounting of the steering wheel and hoses .....</b>	<b>4</b>
<b>Mini Steering Unit Type OSPM.....</b>	<b>4</b>
<b>Mounting of the steering column.....</b>	<b>5</b>

# Chapter 1

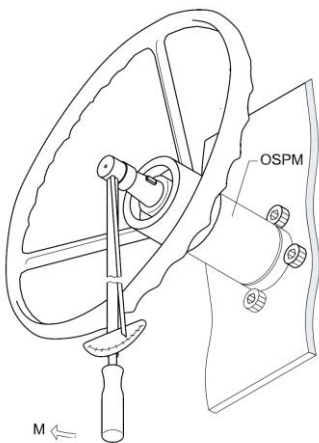
## Mounting of the steering wheel and hoses

### Mini Steering Unit Type OSPM



150-623.10

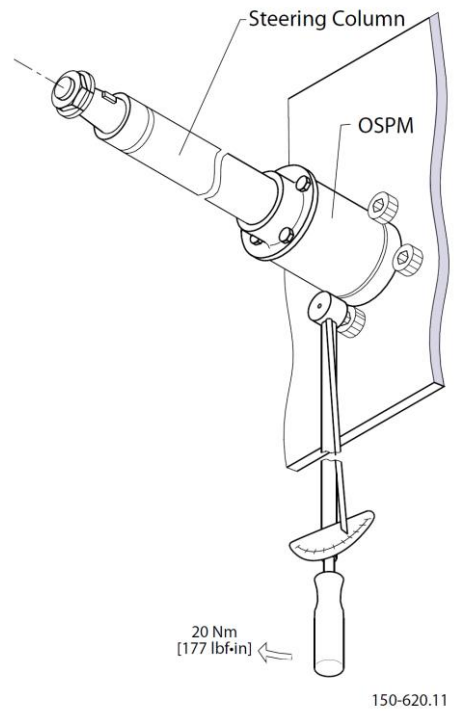
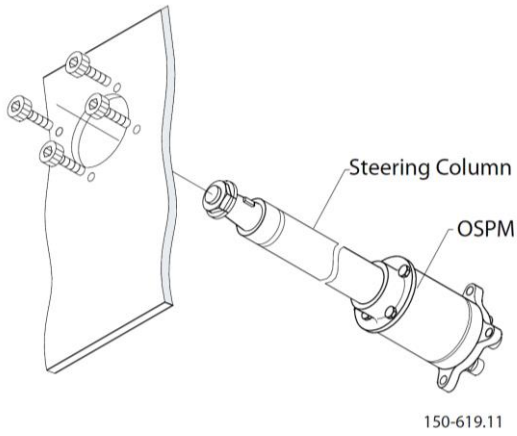
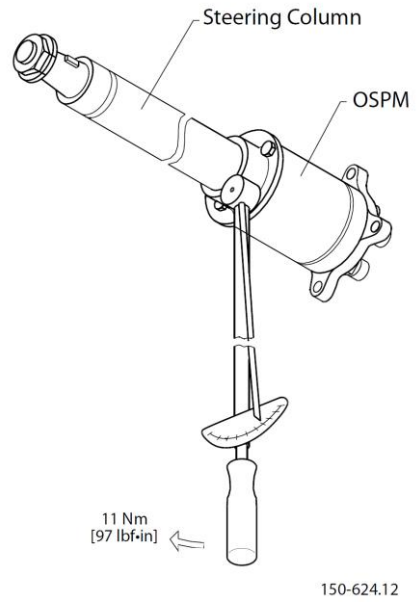
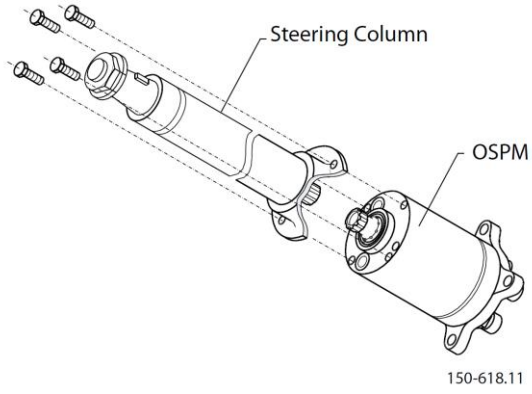
<b>M: Max. tightening torque for hose connections</b>			
Connection: O- ring face seal (ORFS)	P, T, E		L, R
	9/16 - 18 UNF	11/16 - 16 UN	9/16 - 18 UNF
	25 N•m [221 lbf•in]	27 N•m [239 lbf•in]	25 N•m [221 lbf•in]
<b>Mc: Fitting bolts must not be turned during assembly of hose</b>			



150-621.10

<b>M: Max. tightening torque for steering wheel bolt</b>		
	N•m	lbf•in
OSPM type A shaft (M8 × 1.25)	20	177
OSPM type B shaft (5/8 - 18 UNF)	40	354

## Mounting of the steering column





White Drive Motors & Steering, LLC  
110 Bill Bryan Blvd, Hopkinsville, Kentucky, 42240

White Drive Motors and Steering sp. z o.o.  
ul. Logistyczna 1, Bielany Wrocławskie, 55-040 Kobierzyce

[whitedriveproducts.com](http://whitedriveproducts.com)